



**Main features**

**Capacity / Accuracy:**

- Dual range:
- 6 kg - 2 g / 15 kg - 5 g
- 15 kg - 5 g / 30 kg - 10 g

**Formats:**

- Double body, tower, hanging or self-service.

**Printer:**

- Receipt / Label printer. 30 label formats.
- Cassette for easy replacement of rolls of paper.

**Display:**

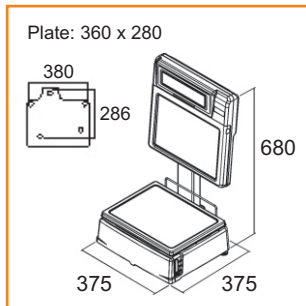
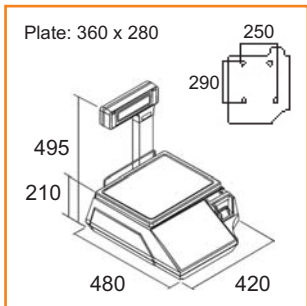
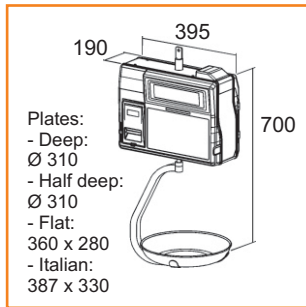
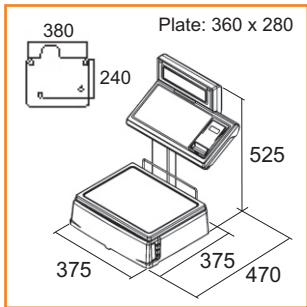
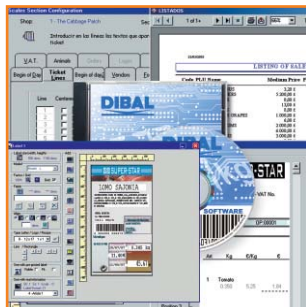
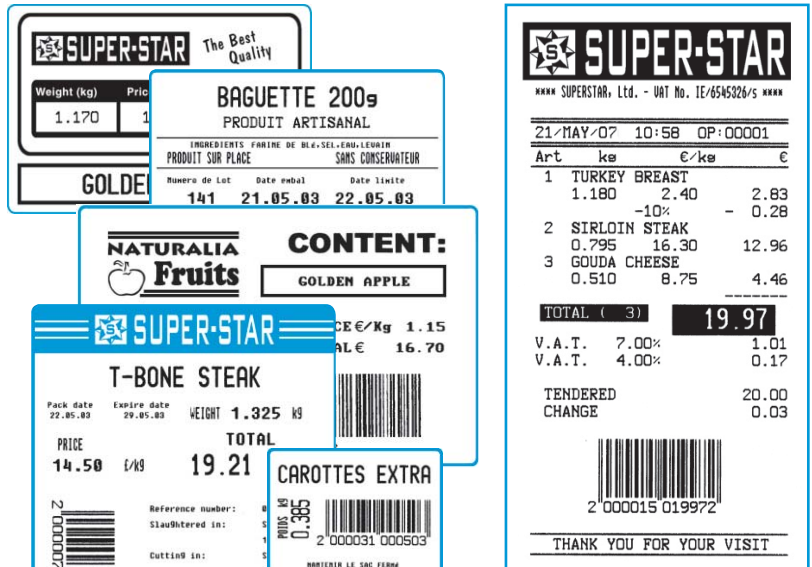
- LCD backlight alphanumeric display.

**Communications:**

- Interconnection up to 30 scales (Ethernet). Option: RS-485.
- PC connection: Ethernet TCP/IP. Options: RS-232/422, WiFi (802.11b) or Homeplug.
- Optional PC software: RMS (programming and sales data management) and DLD (label designer)

**Other specifications:**

- 6.000 PLUs, 40 x 2 presets.
- 10 vendors.
- Cash drawer connection.
- Optional RS-232 scanner connection.



MODEL	Printer	PLUs	Presets	Inter-connection	PC Connection
L-560	Receipt or Label	6.000	40 x 2	Ethernet Opt.: RS-485	Ethernet TCP/IP Opt.: RS-232/422, WiFi, Homeplug
L-565	Receipt or Label	6.000	40 x 2	Ethernet Opt.: RS-485	Ethernet TCP/IP Opt.: RS-232/422, WiFi, Homeplug
L-580/585	Label	6.000	100/150	Ethernet Opt.: RS-485	Ethernet TCP/IP Opt.: RS-232/422, WiFi, Homeplug



L-5 - v 2.1 - 03/2009 - Legal Dep. BI-937-09 - Specifications subjected to change without prior notice.

DIBAL, S.A.  
 Astintze, 24 (P. I. Neinver) 48160 Derio (Vizcaya - SPAIN)  
 Tel.: (+34) 94 452 15 10 - Fax: (+34) 94 452 36 58  
 http://www.dibal.com - E-mail: dibal@dibal.com